



# Ettington Primary School

## Knowledge organiser

### Electricity

Year 4

#### Vocabulary

**Electricity**- form of energy formed by charged particles.

**Circuit**- a complete flow of electricity and the way it affects objects.

**Bulb**- provides light when powered.

**Mains**- domestic or wall powered.

**Plug**- device for making an electrical connection

**Buzzer**- An electrical device that makes a buzzing sound.

**Wire**- A long piece of metal that carries an electrical current often covered in plastic for safety.

**Motor**- A device that changes electrical energy into movement.

**Cell**- a device used to generate electricity.

**Battery**- More than one cell/

**Conductor**- Any material that electricity can pass through or along.

**Insulator**- Any material that electricity cannot pass through or along.

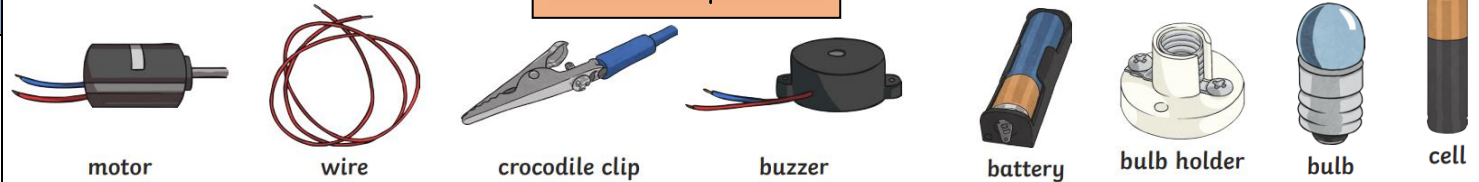
**Symbol**- Representation of the components.

**Electrons**- move around a circuit.

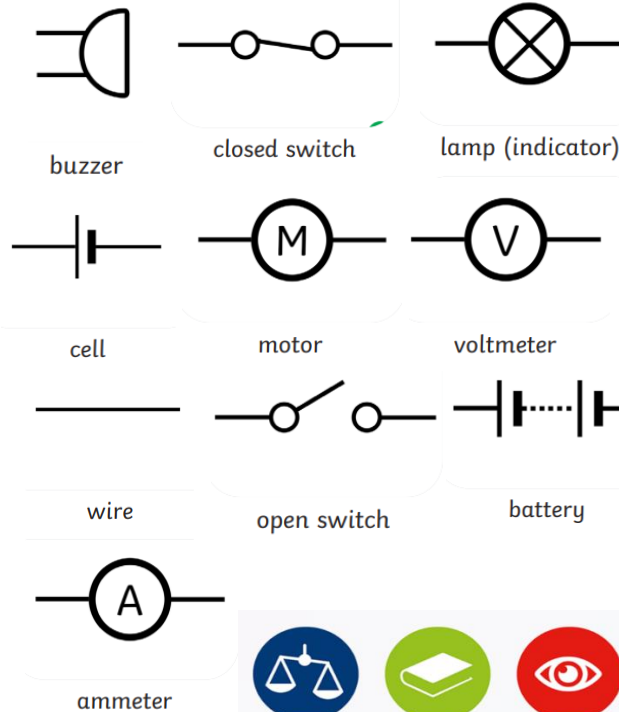
**Current**- stream of charged particles moving through an electrical conductor.

**Voltage**- An electrical force that makes electricity move through a wire, measured in volts (V)

#### Circuit components



#### Circuit symbols



The battery produces electricity. It has stored chemical energy. The chemical energy converts to electrical energy which produces electrons. They travel around the circuit to all the components.

#### Other forms of energy could be:



Thomas Edison - He developed many devices including the early version of the electric light bulb.



